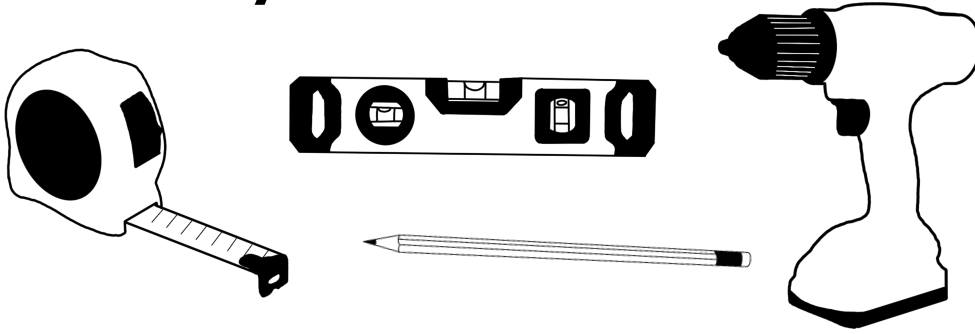


ALTA Assembly & Installation Guide

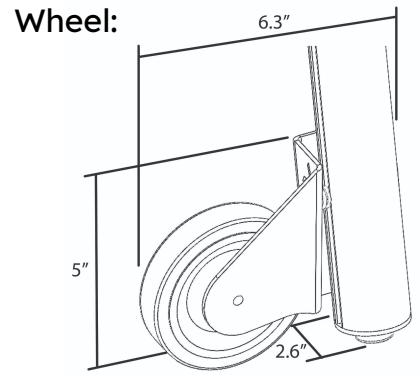
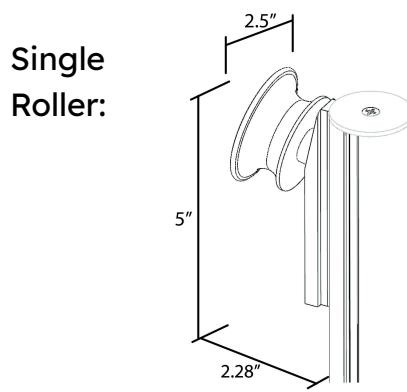
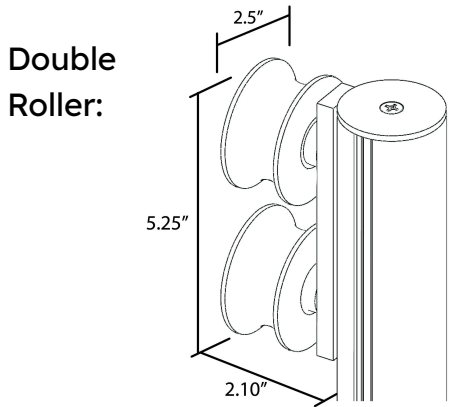


PUTNAM
ROLLING LADDER.

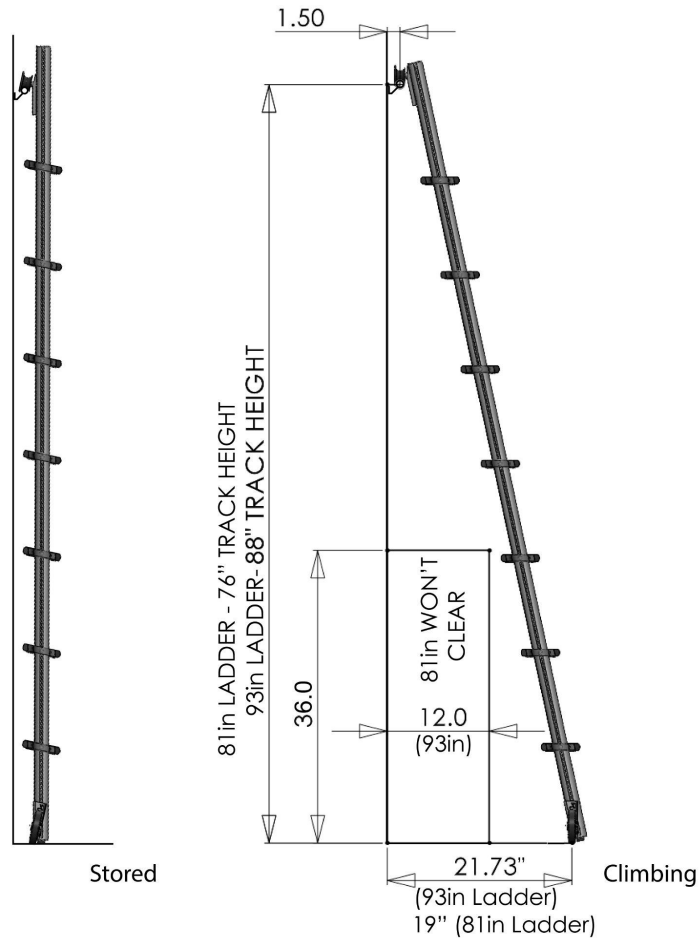
Necessary Tools:



Hardware Dimensions:



Clearance Dimensions:



Installation Guide for ALTA Ladder

For your safety, do not mount track brackets directly onto a drywall surface. Always mount the track brackets to a solid wood header board. Pre-drilling the holes is advisable to avoid splitting the wood.

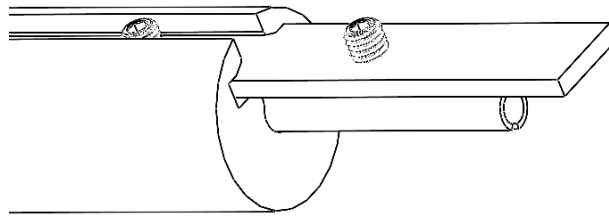
Leave at least 6" of clearance between the top of the track and the ceiling, crown molding, or other overhanging protrusions. A minimum of 4" clearance between the top of the track and any upper cabinet doors is required to be able to open the doors when the ladder is in the climbing position.

Step 1: Track Installation

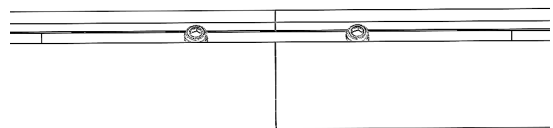
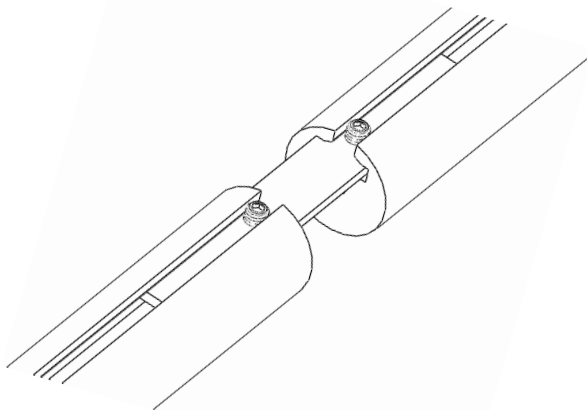
1. Determine track mounting height (distance from the floor to the location on the header board where the screws for the track brackets will be fastened). Mark the location using a level.

<p style="text-align: center;">Track Mounting Height 81" Ladder: Track Height = 76" 93" Ladder: Track Height = 88"</p>

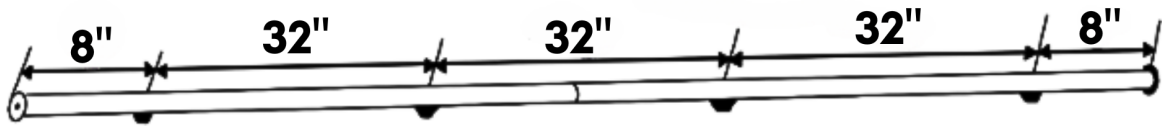
2. Complete this part if using a Track Connector (Part #QG.41):
 - a. Slide the Track Connector half-way into one of the tracks and tighten down the 2 sets of screws, ensuring the connector is the same orientation as the track mounting brackets will be orientated.



- b. Slide the other track over the connector and tighten those set screws.



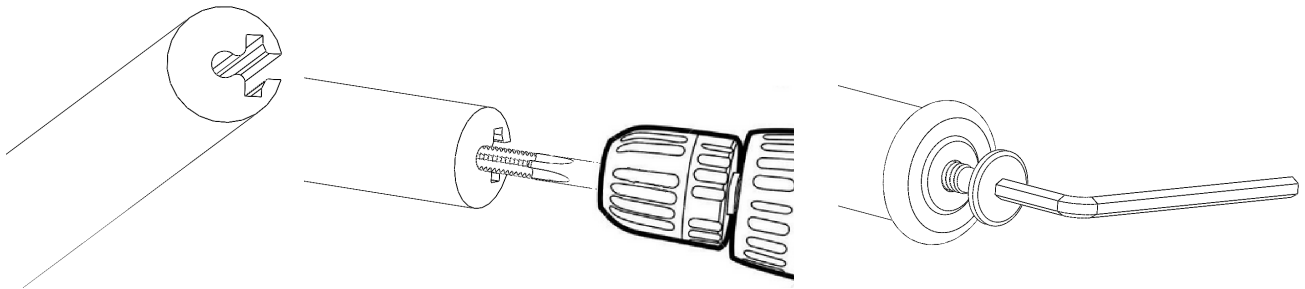
- Slide all the track mounting brackets onto the track, leaving them loose on the track. Brackets should be spaced no further than 32" apart and 8" from each end.



- Starting at one end, secure each bracket to the wall using the supplied screws into the wooden header. Use the line that was marked as directed in Part 1 to determine track height.

If using a Double Roller, ladder must be placed on track before End Caps are installed.

- Install the End Caps with provided tools.



- After all the brackets are screwed to the wood header board and the track is in the intended position. Check with a quality leveling device to ensure the track is level.

If using a Single Roller, hook your ladder onto the mounted track.

Congratulations on installing your ALTA Ladder!

