

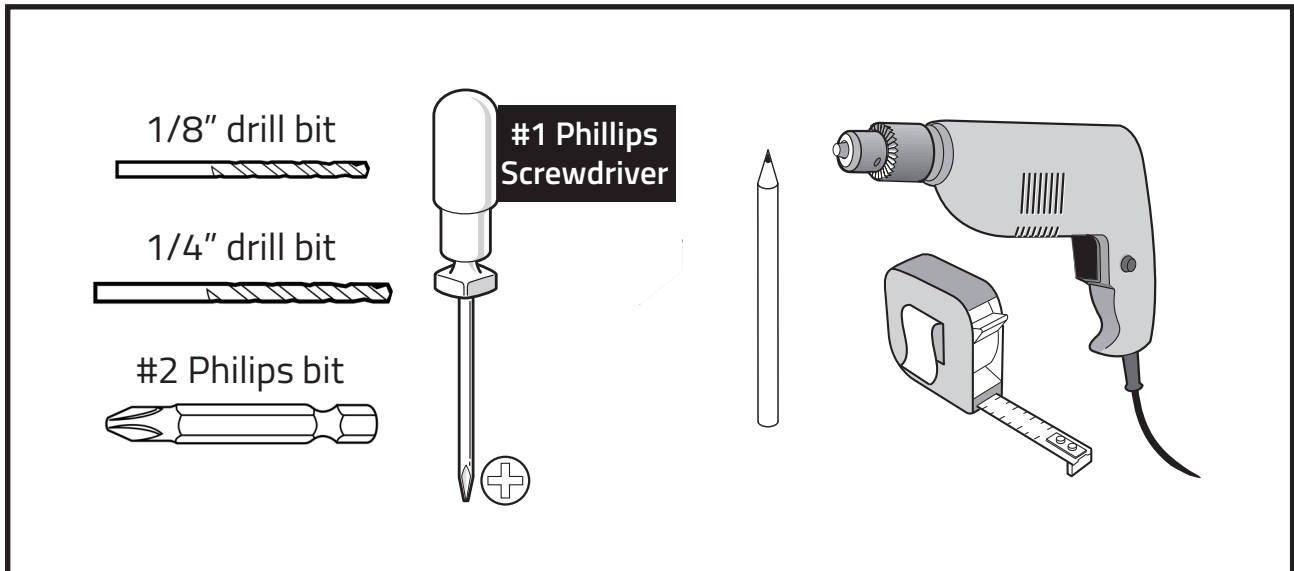
INSTRUCTION MANUAL
for Installing
UPPER LADDER HARDWARE
USING OUTSIDE 90° CURVED RAIL

QG.7000 series

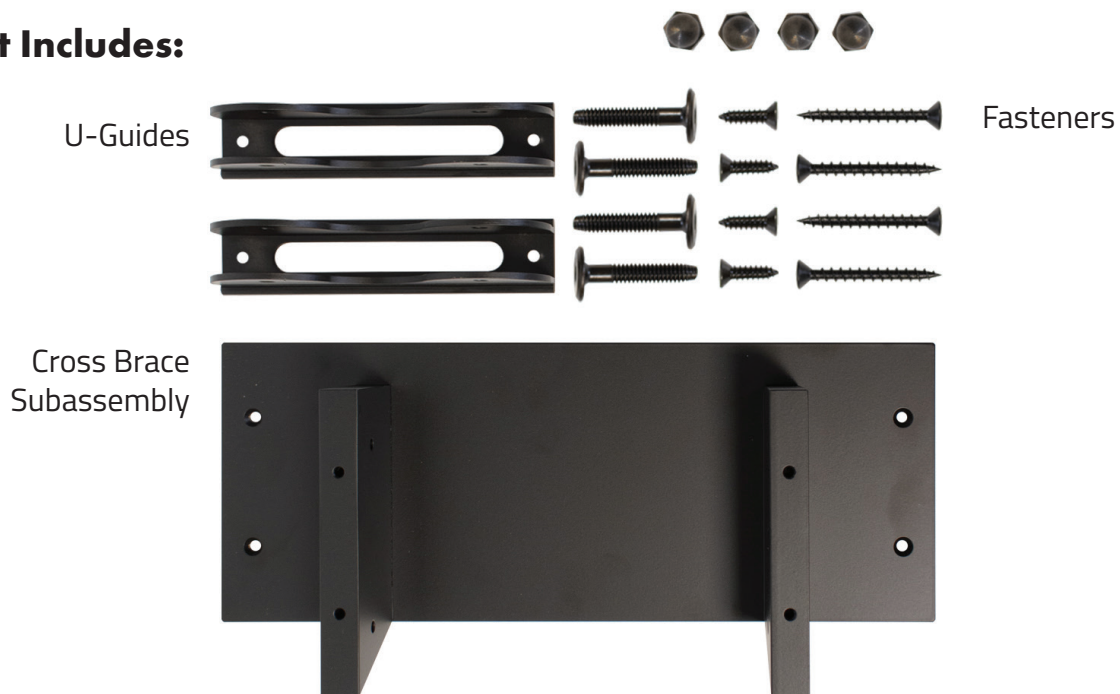


Instruction Manual for Installing Upper Ladder Hardware Using Outside 90° Curved Rail

Installation Tools Needed:



Kit Includes:



Use with QG.700, QG.710, QG.720, or QG.740 series - SOLD SEPARATELY

These instructions are intended to be used for installing the hardware on a Quiet Glide Rolling Ladder or a similar ladder made to the Quiet Glide specifications.

To determine the length of the ladder used with this hardware, measure from floor to center of the rail and add 4 1/2"

Step 1: Installing the Upper "U" Guide Hardware

Figure 1

1. Make a mark 8" down from the tip of the ladder on both ladder side rails (*figure 1*).



Figure 2

2. Position the Upper "U" Guide onto the ladder flush to the mark. Using a #9 Vix Bit or a 1/8" drill bit, predrill the 2 fastener holes (*figure 2*).
(*Predrilling these holes in the edge of the ladder side rails is VERY important to avoid splitting the wood*)



3. Use the supplied #10 x 3/4" long Phillips drive, flat-head screws to secure the two Upper "U" Guides to the top of the ladder (*figures 3 & 4*).

Figure 3



Figure 4

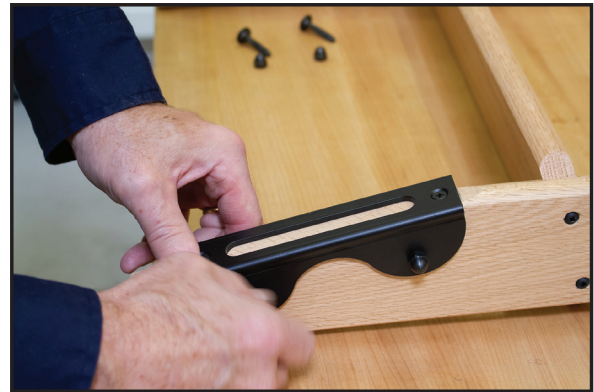


4. Using a ¼" drill bit, drill out the holes for the nut cap/threaded rod on the sides of the ladder. Recommended procedure for this:
 - Using the holes in the Upper "U" Guide as a drill guide, drill a ¼" hole halfway through the thickness of the ladder slide rail.
 - Drill the same hole on the opposite side of the Upper "U" Guide, producing a ¼" through hole in the ladder side rail.
 - Follow this same procedure for all four through holes and complete the assembly by securing the Upper "U" Guide to the ladder with the supplied nut caps and KD bolts (*figures 5 & 6*).

Figure 5



Figure 6



Step 2: Installing the Upper Swivel Roller Assembly

*(QG.700, QG.710, QG.720, or QG.740 series)**

1. Place the Upper Swivel Roller Assemblies onto the Cross-Brace Support Brackets (*figure 7*).

Figure 7

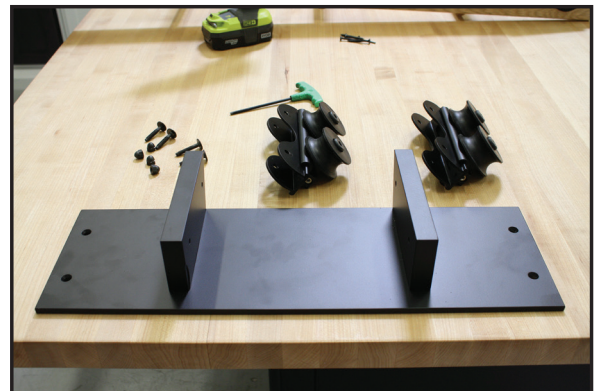


Figure 8

2. Using the supplied ¼-20 KD bolts and acorn nuts, secure these assemblies onto the brackets (*figure 8*).



**These assemblies are SOLD SEPARATELY.*

Step 3: Installing the Cross-Brace Assembly onto the Ladder

1. Place the Cross-Brace Assembly onto the Upper "U" Guide with the Upper Swivel Roller Assembly facing away from the ladder and the angled Cross-Brace Support Brackets pointing down towards the bottom of the ladder (*figure 9*).

Figure 9



2. Align the Cross-Brace Assembly flush with the Upper "U" Guides and predrill the fastener holes using a #9 Vix bit or a 1/8" drill bit. (predrilling these holes in the edge of the ladder side rails is VERY important to avoid splitting the wood)
3. Using the supplied #10 Oval-head Phillips Drive 1 3/4" screws, secure the Cross-Brace Assembly to the ladder side rails (*figure 10*).

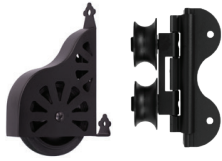
Figure 10



The ladder with the outside 90-degree curve rail hardware is now ready to attach to the QG. rail system!

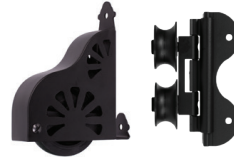
Required Hardware, Sold Separately

Swivel Roller Hardware Kits for Quiet Glide Ladders



Standard Wheel with Swivel Roller Kits

SKU	Ladder Width	Color
QG.700.02	16"	Satin Nickel
QG.700.03	16"	Hamm. Antique Brass
QG.700.07	16"	Oil Rubbed Bronze
QG.700.08	16"	Black
QG.700-20.02	20"	Satin Nickel
QG.700-20.03	20"	Hamm. Antique Brass
QG.700-20.07	20"	Oil Rubbed Bronze
QG.700-20.08	20"	Black



Brake Wheel with Swivel Roller Kits

SKU	Ladder Width	Color
QG.710.02	16"	Satin Nickel
QG.710.03	16"	Hamm. Antique Brass
QG.710.07	16"	Oil Rubbed Bronze
QG.710.08	16"	Black
QG.710-20.02	20"	Satin Nickel
QG.710-20.03	20"	Hamm. Antique Brass
QG.710-20.07	20"	Oil Rubbed Bronze
QG.710-20.08	20"	Black



Contemporary Wheel with Swivel Roller Kits

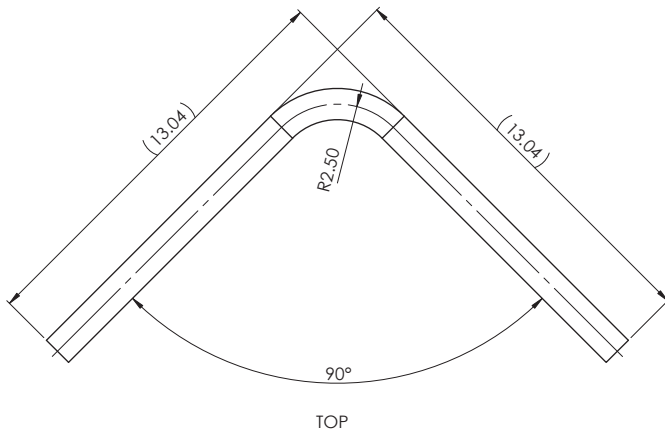
SKU	Ladder Width	Color
QG.720.02	16"	Satin Nickel
QG.720.03	16"	Hamm. Antique Brass
QG.720.07	16"	Oil Rubbed Bronze
QG.720.08	16"	Black
QG.720-20.02	20"	Satin Nickel
QG.720-20.03	20"	Hamm. Antique Brass
QG.720-20.07	20"	Oil Rubbed Bronze
QG.720-20.08	20"	Black



Contemporary Brake Wheel with Swivel Roller Kits

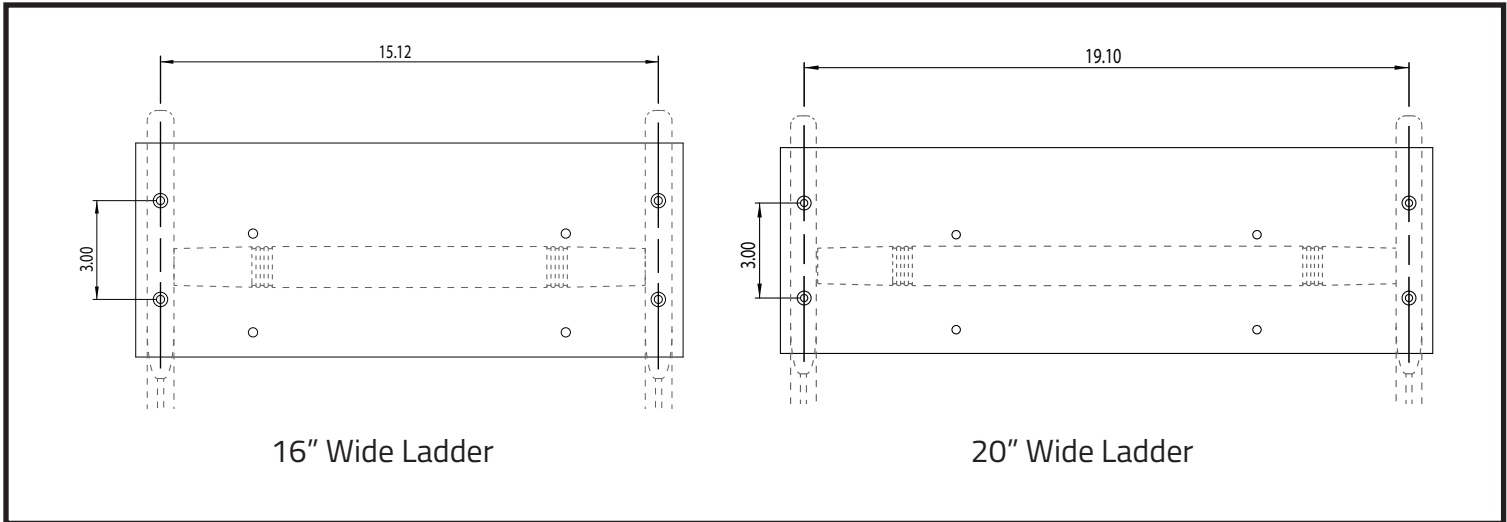
SKU	Ladder Width	Color
QG.740.02	16"	Satin Nickel
QG.740.07	16"	Oil Rubbed Bronze
QG.740.08	16"	Black
QG.740-20.02	20"	Satin Nickel
QG.740-20.07	20"	Oil Rubbed Bronze
QG.740-20.08	20"	Black

Outside Curved Rail Dimensions QG.40CRV-OS.(color code)

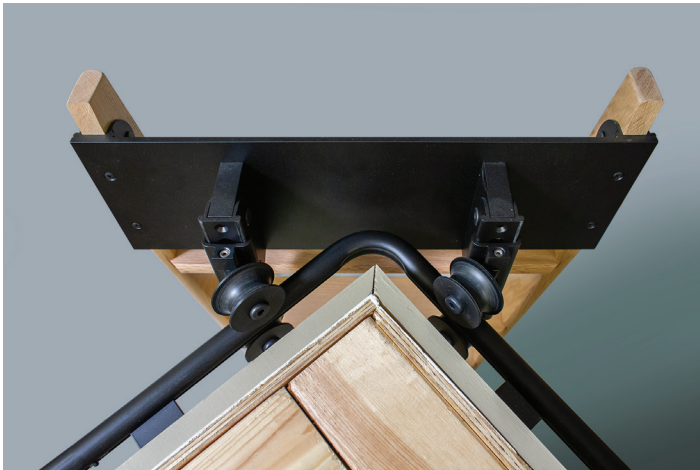


- 1- QG.40CRV-OS.08 Black
- 2- QG.40CRV-OS.02 Satin Nickel
- 3- QG.40CRV-OS.07 Oli Rubbed Bronze
- 4- QG.40CRV-OS.03 Hammered Antique Brass

Outside Curve Upper Assembly



Closeup Photos of Finished Ladder



Also available from CSH:



Mini Barn Door Hardware





Rolling Barn Door Hardware



Rolling Ladders and Ladder Hardware



 N169W21008 Meadow Ln.
Jackson WI, 53037

 (262) 365-7960

 cshardware.com